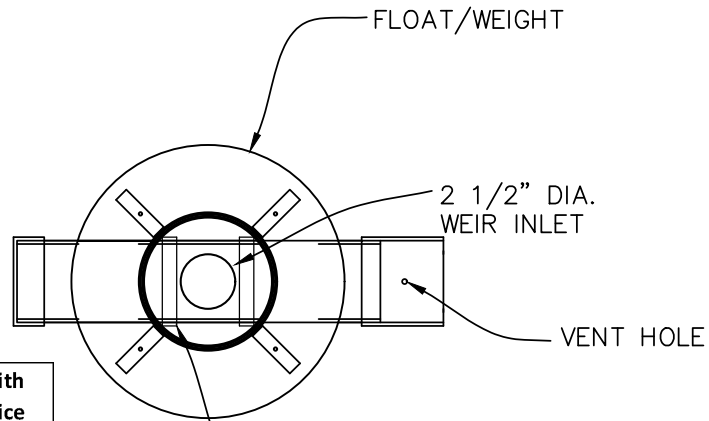


**STANDARD NOTES:**

1. Rigid outlet pipe should be 1.5 to 2 times the height of outlet structure (min. 6').
2. Inlet Orifice size can be reduced with 2", 1.5" & 1" saddles provided.
3. Minimal assembly required. User provides rigid outlet pipe. All other materials and parts included.
4. Total weight of skimmer ±29.0 lbs.

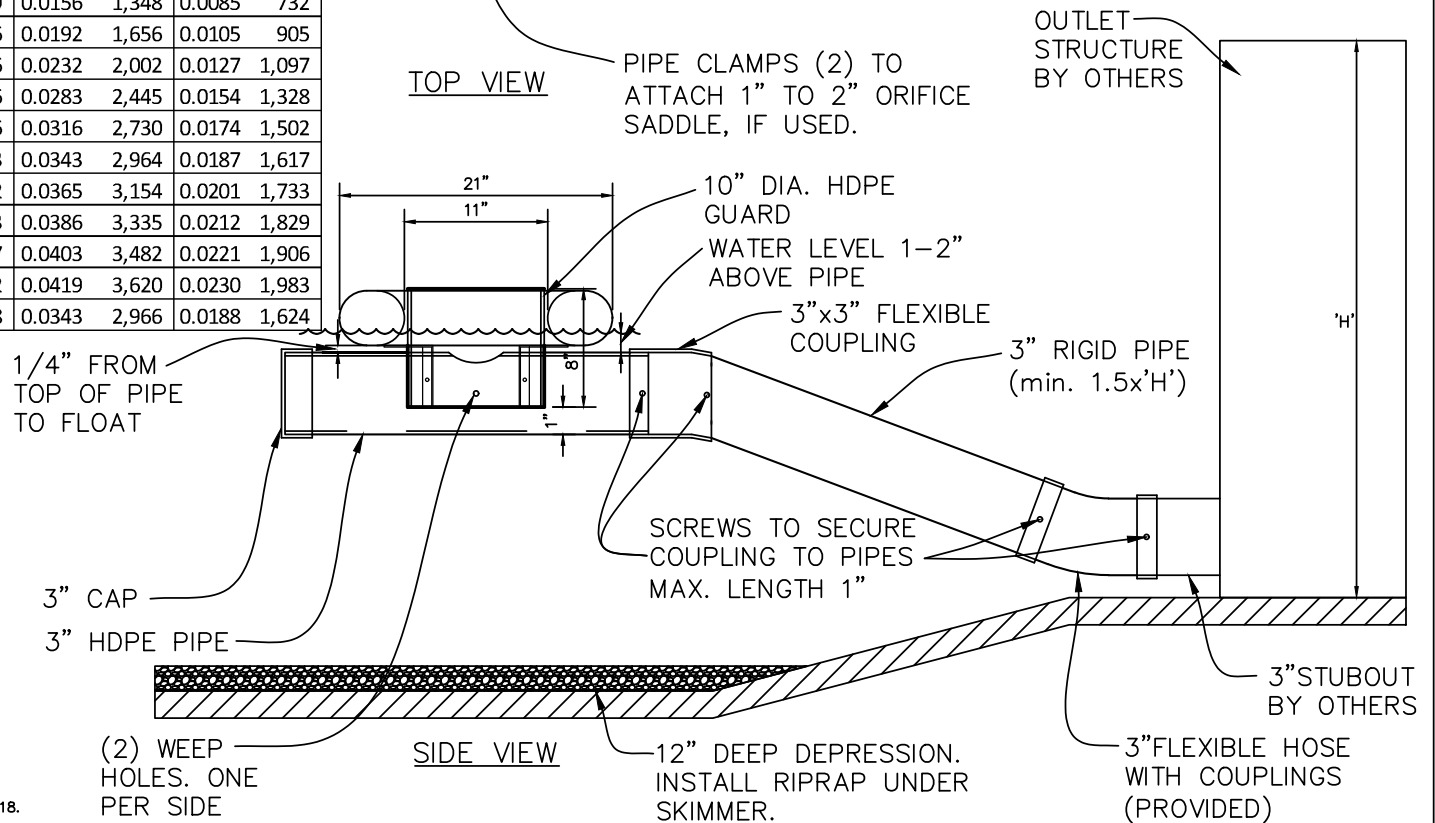


Water Depth	2.5" Skimmer		2.5" with 2" orifice		2.5" with 1.5" orifice		2.5" with 1" Orifice	
	Ft	cfs	cfm	cfs	cfm	cfs	cfm	cfs
0.1	0.0486	4,197	0.0212	1,829	0.0156	1,348	0.0085	732
0.3	0.0568	4,909	0.0281	2,426	0.0192	1,656	0.0105	905
0.5	0.0664	5,737	0.0370	3,196	0.0232	2,002	0.0127	1,097
1.0	0.0778	6,719	0.0490	4,236	0.0283	2,445	0.0154	1,328
1.5	0.0853	7,374	0.0577	4,986	0.0316	2,730	0.0174	1,502
2.0	0.0911	7,874	0.0648	5,603	0.0343	2,964	0.0187	1,617
2.5	0.0960	8,298	0.0711	6,142	0.0365	3,154	0.0201	1,733
3.0	0.1001	8,645	0.0767	6,623	0.0386	3,335	0.0212	1,829
3.5	0.1036	8,953	0.0816	7,047	0.0403	3,482	0.0221	1,906
4.0	0.1067	9,222	0.0860	7,432	0.0419	3,620	0.0230	1,983
Avg (0.5'-4')	0.0909	7,853	0.0655	5,658	0.0343	2,966	0.0188	1,624

TOP VIEW

PIPE CLAMPS (2) TO ATTACH 1" TO 2" ORIFICE SADDLE, IF USED.

FLOW RATES BASED ON THIRD PARTY TESTING. FOR DESIGN PURPOSES ASSUME FLOW RATES REMAIN CONSTANT FOR DEPTHS GREATER THAN 4'.



SIDE VIEW

DEVELOPED BY RYMAR WATERWORKS INNOVATIONS, 08/10/18. VALID UNTIL 12/31/18. CHECK WEBSITE FOR UPDATES.

**MODEL 1**  
**1" - 2 1/2" Marlee Float Skimmer Detail**



WEB PAGE  
[WWW.RYMARWATERWORKS.COM](http://WWW.RYMARWATERWORKS.COM)  
 PHONE #  
 1-855-697-9333

SCALE  
 N.T.S.  
 DATE  
 08/13/18

PROPERTY LOCATION  
 ----  
 County, State