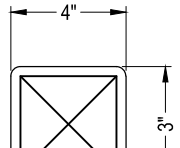


USE ASPHALT OR CONCRETE
SCREWS PROVIDED

1/4" X 1.5" HDPE STRIPS

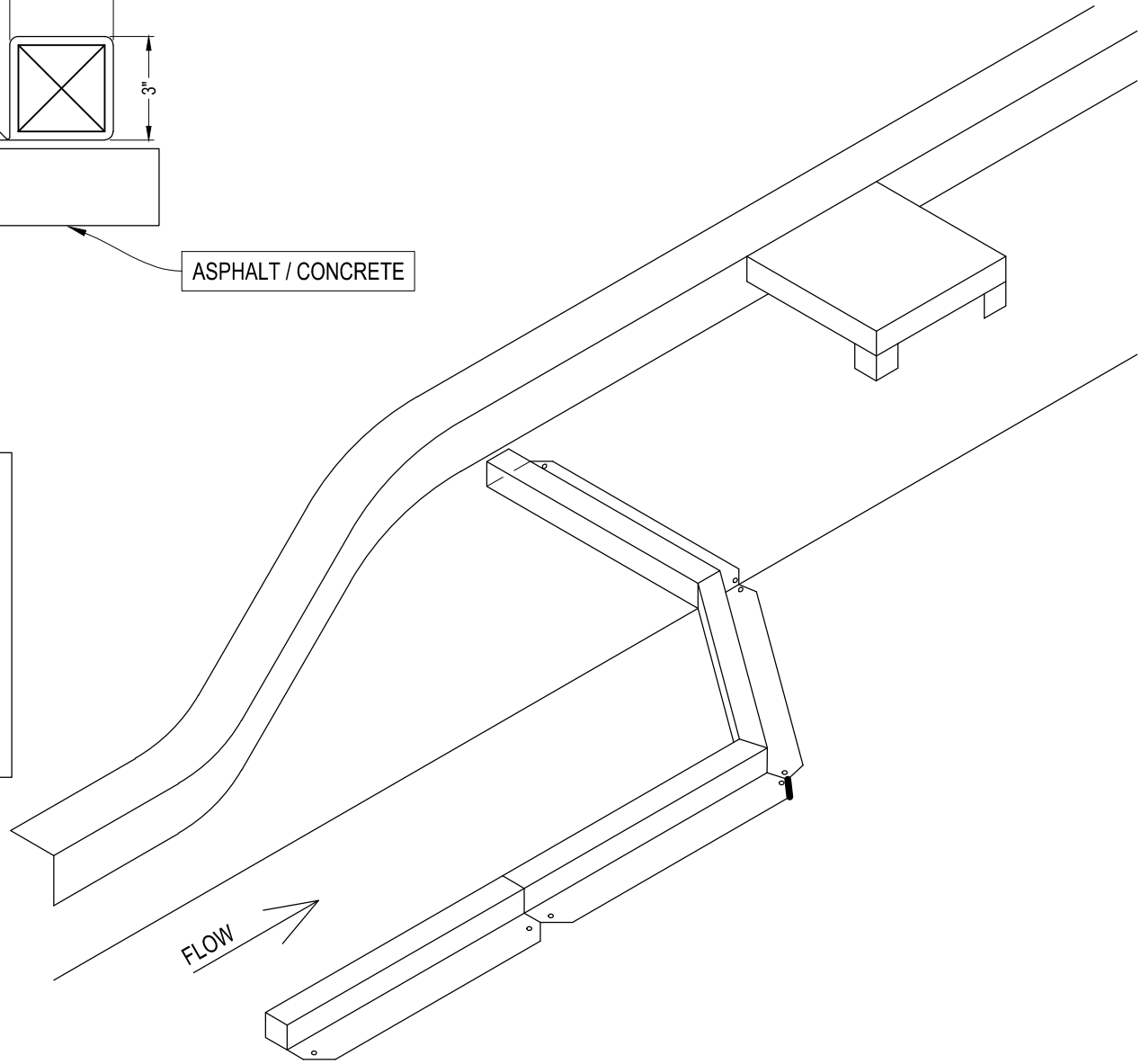


ASPHALT / CONCRETE

DOUBLE SIDED MASTIC TAPE

HARD SURFACE INSTALLATION

SWEEP OR BRUSH AREA TO REMOVE DEBRIS.
PLACE WATTLE IN DESIRED LOCATION.
ON CONCRETE DRILL PILOT HOLE. REMOVE
BACKING FROM ONE SECTION OF MASTIC TAPE.
PLACE WATTLE IN POSITION AND INSTALL TWO
SCREWS THROUGH THE HDPE STRIP. REPEAT
FOR EACH WATTLE SECTION.



DEVELOPED BY RYMAR WATERWORKS INNOVATIONS, 04/18/19.
VALID UNTIL 12/31/19. CHECK WEBSITE FOR UPDATES.

**VERSA-WATTLE
HARD SURFACE INSTALLATION**



WEB PAGE
WWW.RYMARWATERWORKS.COM
PHONE #
1-855-697-9333

SCALE
N.T.S.
DATE
04/22/19

PROPERTY LOCATION

County, State