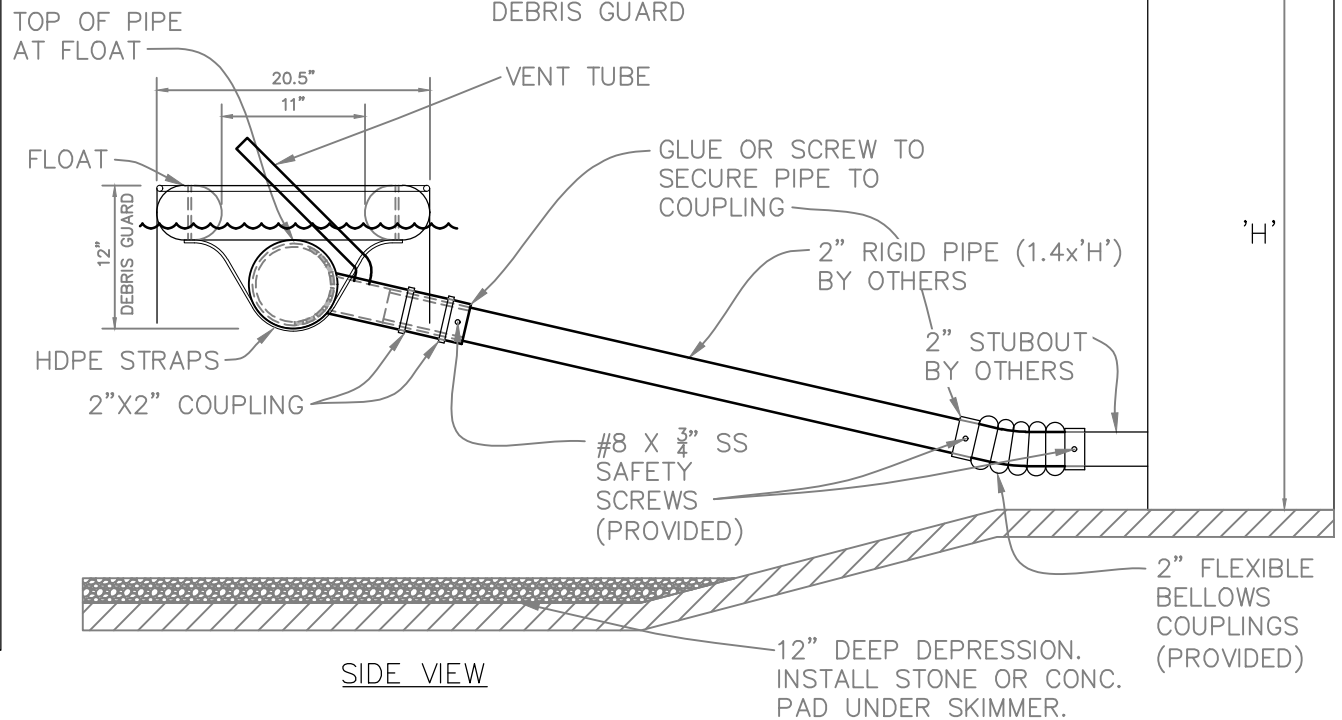


Water Depth	2" skimmer		2" skimmer - 1.5" Orifice		2" skimmer - 1.0" Orifice		2" skimmer - 0.75" Orifice		2" skimmer - 0.5" Orifice	
	cfs	cfm	cfs	cfm	cfs	cfm	cfs	cfm	cfs	cfm
0.1	0.0370	3195	0.0292	2522	0.0145	1251	0.0134	1155	0.0022	192
0.3	0.0408	3523	0.0301	2599	0.0152	1309	0.0136	1174	0.0025	212
0.5	0.0448	3869	0.0307	2656	0.0160	1386	0.0140	1213	0.0025	212
1	0.0492	4254	0.0316	2733	0.0167	1444	0.0143	1232	0.0027	231
1.5	0.0521	4504	0.0323	2791	0.0174	1501	0.0145	1251	0.0027	231
2	0.0544	4697	0.0325	2810	0.0176	1521	0.0145	1251	0.0027	231
2.5	0.0559	4832	0.0330	2849	0.0180	1559	0.0147	1270	0.0027	231
3	0.0575	4966	0.0332	2868	0.0183	1578	0.0147	1270	0.0027	231
3.5	0.0586	5063	0.0334	2887	0.0185	1598	0.0149	1290	0.0029	250
4	0.0597	5159	0.0334	2887	0.0187	1617	0.0149	1290	0.0029	250
Avg	0.0540	4668	0.0325	2810	0.0177	1526	0.0146	1258	0.0027	233

FLOW RATES BASED ON THIRD PARTY TESTING. FOR DESIGN PURPOSES ASSUME FLOW RATES REMAIN CONSTANT FOR DEPTHS GREATER THAN 4' OR EXTRAPOLATE BASED UPON LOST 3 DATA POINTS.

STANDARD NOTES:

1. Rigid outlet pipe should be 1.4 times the height of outlet structure (H), (min. 8).
2. Inlet Orifice size can be reduced with 0.5", 0.75", 1.0", and 1.5" orifices provided.
3. Minimal assembly required. User provides rigid outlet pipe. All other materials and parts included.
4. Weight provided by 4.5 lbs. of stone ballast on each side of screen/orifice. Total of 9 lbs. Comes Pre-weighted.



2" MARLEE FLOAT  
0.5" - 2" Orifice  
Skimmer Detail



WEB PAGE  
WWW.RymarWaterWorks.COM  
PHONE #  
1-855-697-9333

SCALE  
N.T.S.  
DATE  
02/28/2020

PROPERTY LOCATION  
----  
County, State