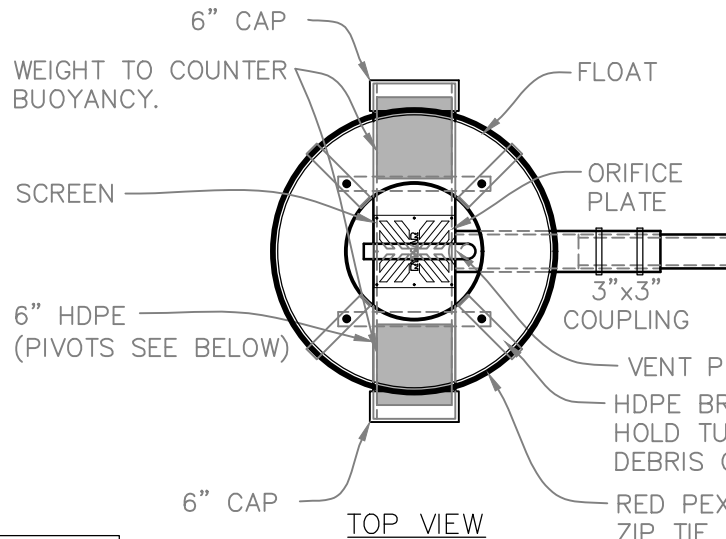


ORIFICE PLATE



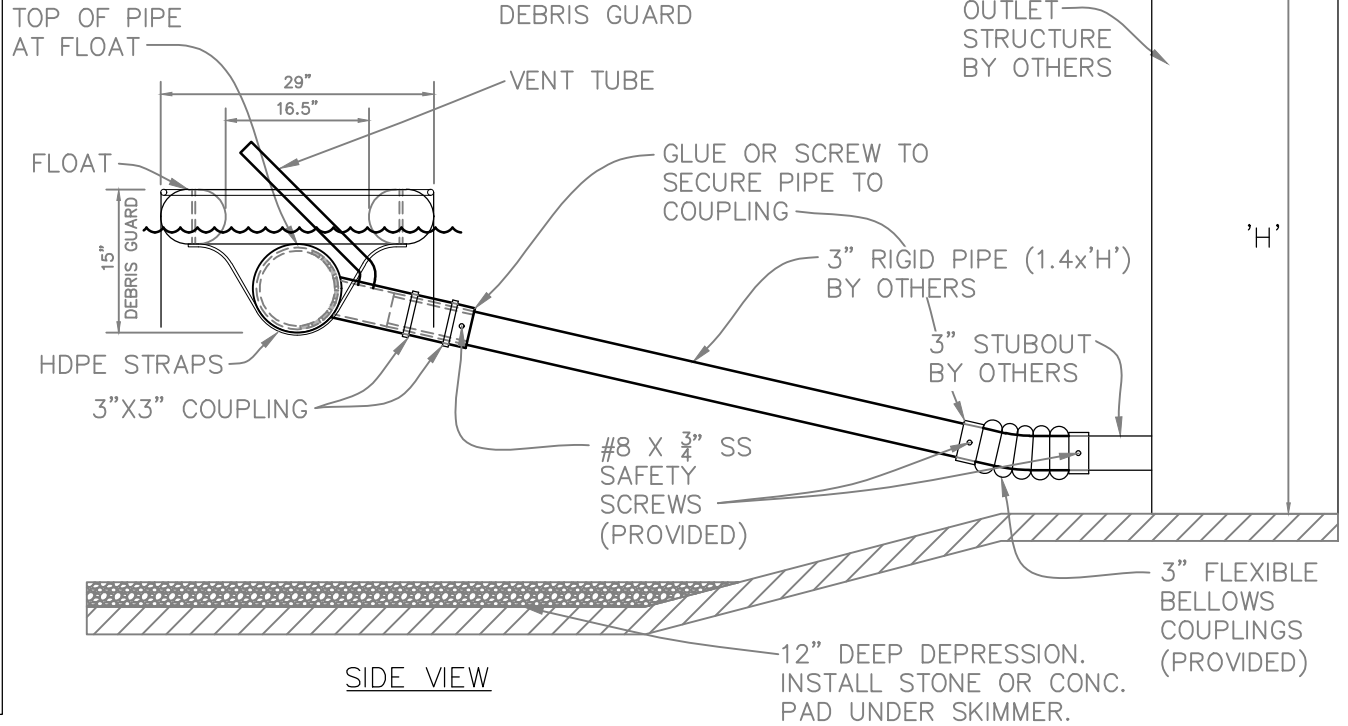
TOP VIEW

Water Depth	3" skimmer		3" skimmer - 2.5" Orifice		3" skimmer - 2" Orifice		3" skimmer - 1.5" Orifice	
	cfs	cfm	cfs	cfm	cfs	cfm	cfs	cfm
0.1	0.1020	8816	0.0700	6044	0.0570	4928	0.0292	2522
0.3	0.1165	10068	0.0829	7161	0.0610	5274	0.0323	2791
0.5	0.1239	10703	0.0898	7758	0.0631	5448	0.0339	2926
1	0.1346	11627	0.0998	8624	0.0659	5698	0.0359	3099
1.5	0.1413	12204	0.1063	9182	0.0675	5833	0.0372	3215
2	0.1462	12628	0.1110	9586	0.0688	5948	0.0383	3311
2.5	0.1502	12974	0.1150	9933	0.0697	6025	0.0390	3369
3	0.1535	13263	0.1181	10202	0.0706	6102	0.0397	3426
3.5	0.1564	13513	0.1210	10453	0.0713	6160	0.0401	3465
4	0.1589	13725	0.1234	10664	0.0720	6218	0.0408	3523
Avg	0.1456	12580	0.1105	9550	0.0686	5929	0.0381	3292

FLOW RATES BASED ON THIRD PARTY TESTING. FOR DESIGN PURPOSES ASSUME FLOW RATES REMAIN CONSTANT FOR DEPTHS GREATER THAN 4' OR EXTRAPOLATE BASED UPON LAST 3 DATA POINTS.

STANDARD NOTES:

1. Rigid outlet pipe should be 1.4 times the height of outlet structure (H), (min. 8).
2. Inlet Orifice size can be reduced with 1.5", 2.0", and 2.5" orifices provided.
3. Minimal assembly required. User provides rigid outlet pipe. All other materials and parts included.
4. Weight provided by 8 lbs. of stone ballast on each side of screen/orifice. Total of 16 lbs. Up to 4.5 lbs can be added to each side if skimmer floats due to longer pipe.



SIDE VIEW

3" MARLEE FLOAT
1.5" - 3" Orifice
Skimmer Detail



WEB PAGE
WWW.RymarWaterWorks.COM
PHONE #
1-855-697-9333

SCALE
N.T.S.
DATE
07/16/2020

PROPERTY LOCATION

County, State