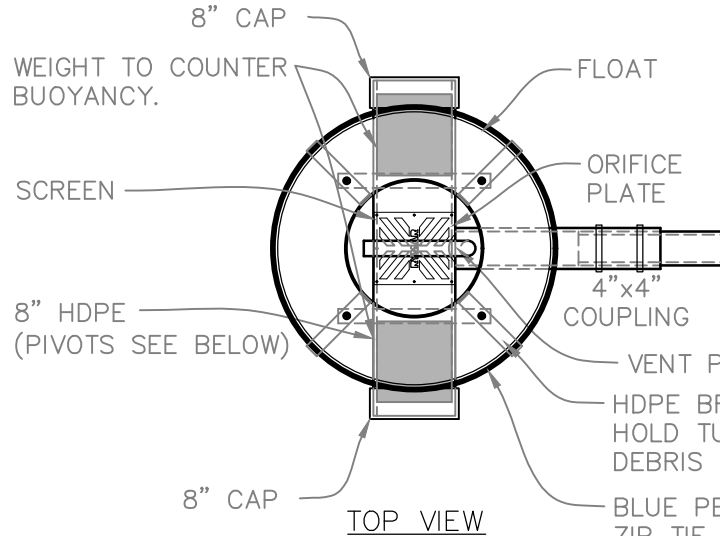


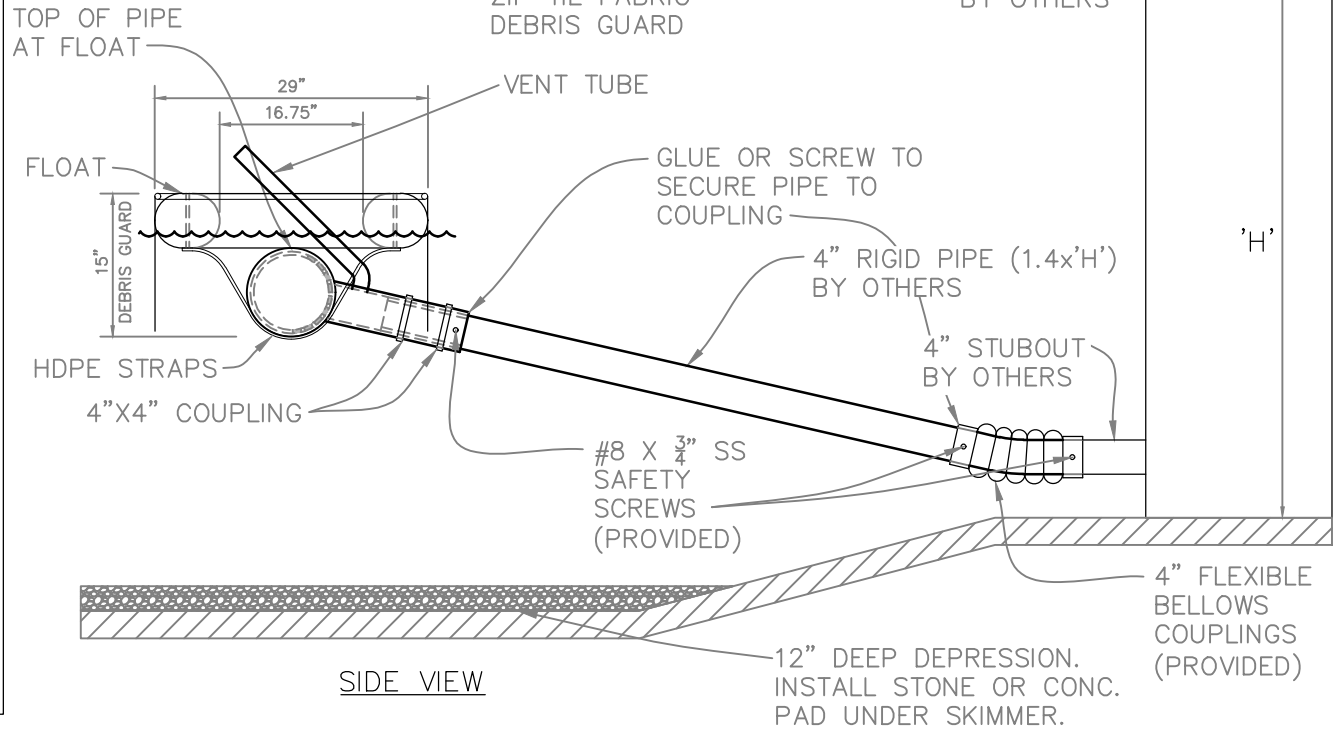
ORIFICE PLATE



TOP VIEW

STANDARD NOTES:

1. Rigid outlet pipe should be 1.4 times the height of outlet structure (H), (min. 8).
2. Inlet Orifice size can be reduced with 2.0", 2.5", 3.0", 3.5" and 4.0" orifices provided.
3. Minimal assembly required. User provides rigid outlet pipe. All other materials and parts included.
4. Weight provided by 14 lbs. of stone ballast on each side of screen/orifice. Total of 28 lbs. Up to additional 6 lbs can be added to each side if skimmer floats due to longer pipe.



SIDE VIEW

Water Depth	4" skimmer		4" skimmer - 3.5" Orifice		4" skimmer - 3.0" Orifice		4" skimmer - 2.5" Orifice		4" skimmer - 2.0" Orifice	
	cfs	cfm	cfs	cfm	cfs	cfm	cfs	cfm	cfs	cfm
0.1	0.2261	19539	0.1874	16189	0.1352	11685	0.0967	8354	0.0657	5679
0.3	0.2647	22869	0.2025	17498	0.1466	12666	0.1023	8836	0.0691	5967
0.5	0.2850	24621	0.2101	18153	0.1524	13167	0.1052	9086	0.0709	6121
1	0.3144	27162	0.2206	19057	0.1604	13860	0.1089	9413	0.0731	6314
1.5	0.3333	28798	0.2270	19616	0.1653	14283	0.1112	9606	0.0744	6429
2	0.3473	30011	0.2317	20020	0.1689	14591	0.1130	9760	0.0755	6526
2.5	0.3585	30973	0.2355	20347	0.1718	14842	0.1143	9875	0.0762	6583
3	0.3681	31801	0.2386	20617	0.1740	15034	0.1154	9971	0.0769	6641
3.5	0.3763	32513	0.2413	20848	0.1760	15207	0.1163	10048	0.0773	6680
4	0.3834	33129	0.2435	21040	0.1778	15361	0.1170	10106	0.0780	6737
Avg	0.3458	29876	0.2310	19962	0.1683	14543	0.1127	9733	0.0753	6504

FLOW RATES BASED ON THIRD PARTY TESTING. FOR DESIGN PURPOSES ASSUME FLOW RATES REMAIN CONSTANT FOR DEPTHS GREATER THAN 4' OR EXTRAPOLATE BASED UPON LAST 3 DATA POINTS.

4" MARLEE FLOAT
2" - 4" Orifice
Skimmer Detail



WEB PAGE
WWW.RymarWaterWorks.COM
PHONE #
1-855-697-9333

SCALE
N.T.S.
DATE
07/16/2020

PROPERTY LOCATION

County, State