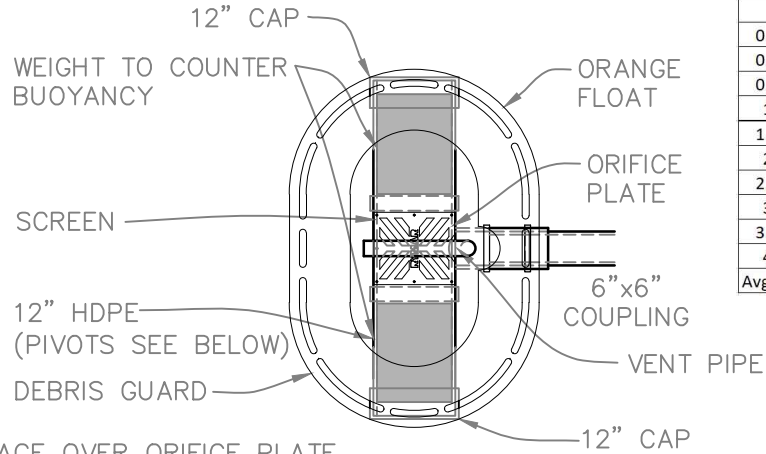


ORIFICE PLATE
(3.5" ORIFICE SHOWN)
(4", 4.5", AND 5"
ORIFICE PLATES WILL
ALSO BE INCLUDED)



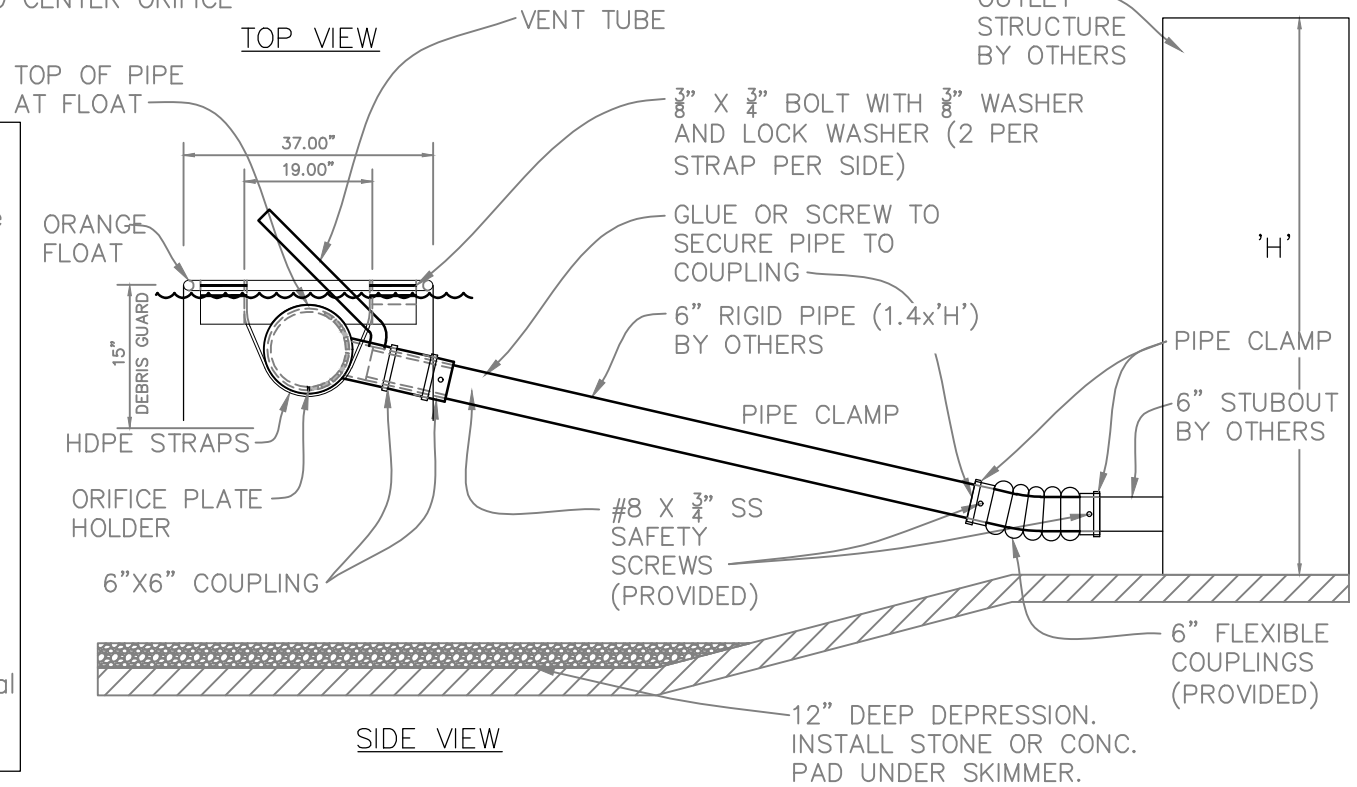
PLACE OVER ORIFICE PLATE
HOLDER TO CENTER ORIFICE

Water Depth	6" skimmer		6" skimmer - 5" Orifice		6" skimmer - 4.5" Orifice		6" skimmer - 4" Orifice		6" skimmer - 3.5" Orifice	
	cfs	cf/d	cfs	cf/d	cfs	cf/d	cfs	cf/d	cfs	cf/d
0.1	0.4481	38712	0.3592	31031	0.2166	18711	0.1865	16112	0.1406	12147
0.3	0.5280	45622	0.4017	34708	0.2691	23254	0.2201	19019	0.1662	14360
0.5	0.5699	49241	0.4231	36556	0.2977	25718	0.2377	20540	0.1794	15496
1	0.6323	54631	0.4538	39212	0.3413	29491	0.2638	22792	0.1994	17229
1.5	0.6717	58039	0.4730	40868	0.3696	31936	0.2805	24236	0.2119	18307
2	0.7014	60599	0.4870	42080	0.3912	33803	0.2930	25314	0.2212	19115
2.5	0.7252	62659	0.4982	43043	0.4088	35324	0.3028	26161	0.2290	19789
3	0.7453	64391	0.5075	43851	0.4238	36613	0.3113	26892	0.2353	20328
3.5	0.7626	65893	0.5156	44544	0.4369	37749	0.3186	27527	0.2408	20809
4	0.7780	67221	0.5227	45160	0.4487	38769	0.3251	28086	0.2457	21233
Avg	0.6983	60334	0.4851	41914	0.3898	33675	0.2916	25193	0.2204	19038

FLOW RATES BASED ON THIRD PARTY TESTING.
FOR DESIGN PURPOSES ASSUME FLOW RATES
REMAIN CONSTANT FOR DEPTHS GREATER THAN
4' OR EXTRAPOLATE BASED UPON LAST 3
DATA POINTS.

STANDARD NOTES:

1. Rigid outlet pipe should be 1.4 times the height of outlet structure (H), (min. 8).
2. Inlet Orifice size can be reduced with 3.5", 4.0", 4.5" and 5.0" orifices provided.
3. Minimal assembly required. User provides rigid outlet pipe. All other materials and parts included.
4. Weight provided by 40 lbs. of stone ballast on each side of screen/orifice. Total of 80 lbs..



6" MARLEE FLOAT
3.5" - 6" Orifice
Skimmer Detail



WEB PAGE
WWW.RymarWaterWorks.COM
PHONE #
1-855-697-9333

SCALE
N.T.S.
DATE
07/16/2020

PROPERTY LOCATION

County, State