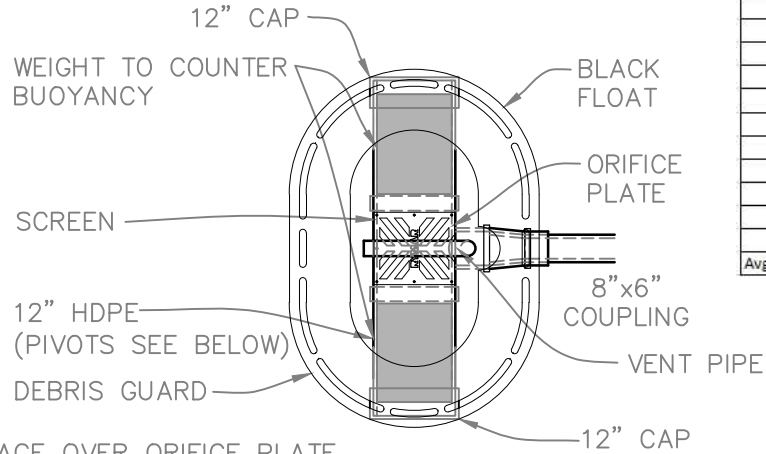


ORIFICE PLATE  
(5" ORIFICE SHOWN)  
(6", 6.5", AND 7"  
ORIFICE PLATES  
WILL ALSO BE  
INCLUDED)



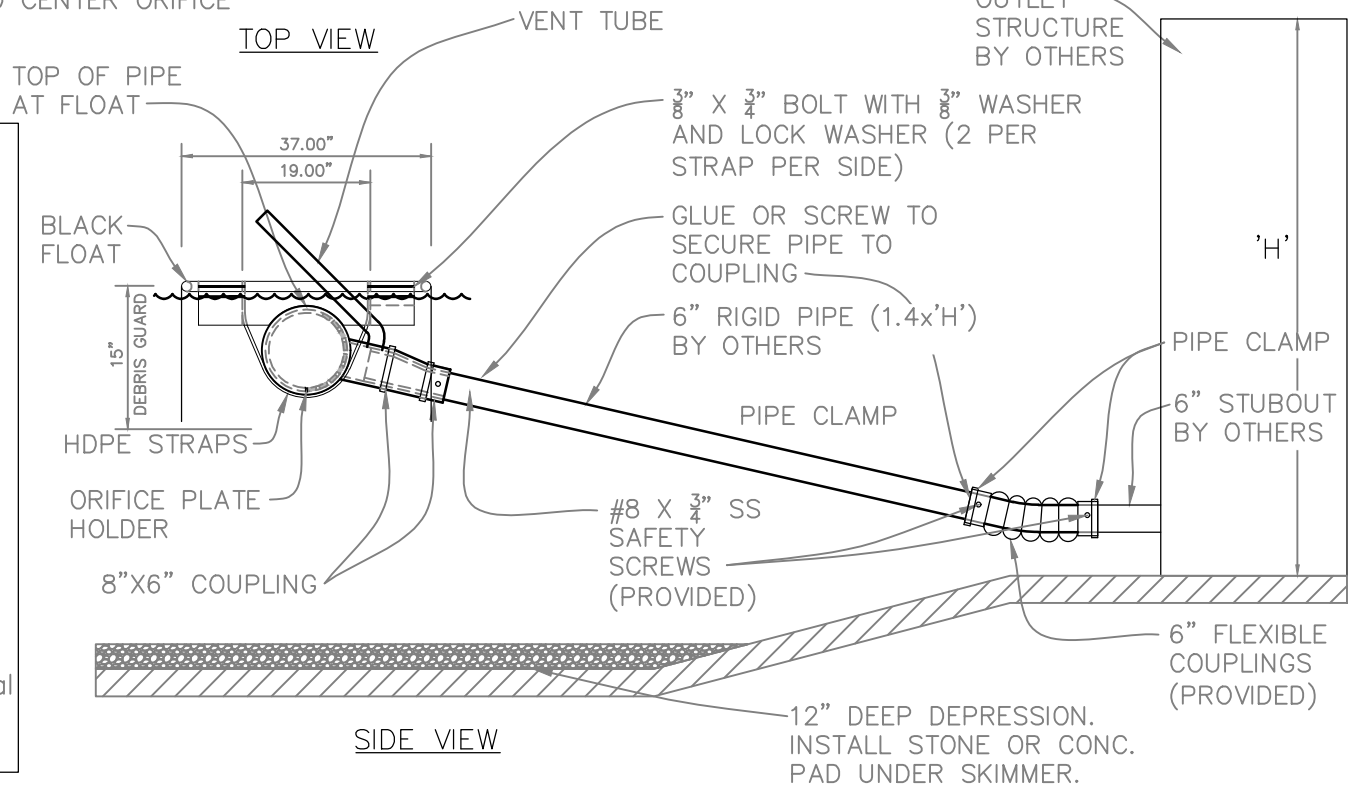
PLACE OVER ORIFICE PLATE  
HOLDER TO CENTER ORIFICE

Water Depth	8" skimmer - 6" pipe		8" skimmer - 7.0" Orifice		8" skimmer - 6.5" Orifice		8" skimmer - 6" Orifice		8" skimmer - 5.0" Orifice	
	cfs	cfm	cfs	cfm	cfs	cfm	cfs	cfm	cfs	cfm
0.1	0.6399	55286	0.4768	41195	0.4784	41330	0.4278	36960	0.3941	34053
0.3	0.8308	71783	0.6512	56268	0.5840	50454	0.5171	44679	0.4387	37903
0.5	0.9378	81023	0.7528	65046	0.6406	55344	0.5648	48799	0.4612	39847
1	1.1058	95538	0.9164	79175	0.7263	62755	0.6365	54997	0.4937	42658
1.5	1.2174	105182	1.0280	88819	0.7818	67548	0.6827	58982	0.5136	44371
2	1.3036	112632	1.1156	96385	0.8235	71148	0.7174	61985	0.5283	45642
2.5	1.3745	118753	1.1884	102679	0.8576	74093	0.7457	64430	0.5398	46643
3	1.4353	124008	1.2515	108127	0.8863	76576	0.7696	66489	0.5496	47490
3.5	1.4888	128628	1.3074	112959	0.9115	78752	0.7903	68280	0.5579	48202
4	1.5369	132786	1.3580	117329	0.9338	80677	0.8088	69877	0.5652	48837
Avg	1.3000	112319	1.1148	96315	0.8202	70862	0.7145	61730	0.5262	45461

FLOW RATES BASED ON THIRD PARTY TESTING.  
FOR DESIGN PURPOSES ASSUME FLOW RATES  
REMAIN CONSTANT FOR DEPTHS GREATER THAN  
4' OR EXTRAPOLATE BASED UPON LAST 3  
DATA POINTS.

STANDARD NOTES:

1. Rigid outlet pipe should be 1.4 times the height of outlet structure (H), (min. 8).
2. Inlet Orifice size can be reduced with 5.0", 6.0", 6.5" and 7.0" orifices provided.
3. Minimal assembly required. User provides rigid outlet pipe. All other materials and parts included.
4. Weight provided by 40 lbs. of stone ballast on each side of screen/orifice. Total of 80 lbs..



8" MARLEE FLOAT  
5" - 8" Orifice  
Skimmer Detail



WEB PAGE  
WWW.RymarWaterWorks.COM  
PHONE #  
1-855-697-9333

SCALE  
N.T.S.  
DATE  
07/16/2020

PROPERTY LOCATION  
----  
County, State