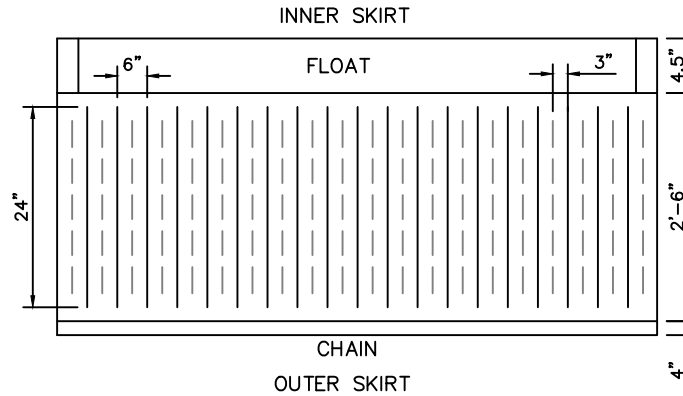
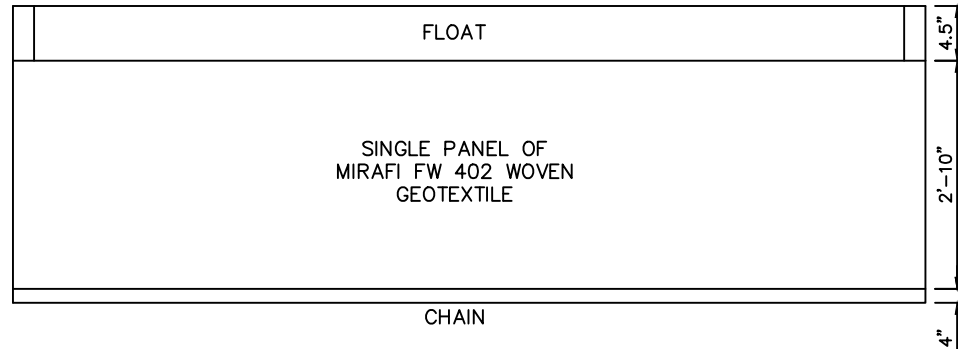


SKIMMER SIZE	PEAK FLOW RATE (CFS)	INNER SKIRT			OUTER SKIRT		
		L1	L2	TOTAL LENGTH	L1	L2	TOTAL LENGTH
2"	0.060	5'	5'	20'	8'	8'	32'
3"	0.159	5'	5'	20'	8'	8'	32'
4"	0.383	5'	5'	20'	8'	8'	32'
6"	0.778	10.6'	10.6'	48'	16'	16'	60'
8"	1.537	31.8'	10.6'	88'	40'	16'	104'
MAX 8"	1.833	31.6'	10.6'	88'	48'	16'	124'

INNER AND OUTER SKIRT LENGTHS ARE BASED ON THIRD PARTY TESTING REQUIREMENTS TO PROVIDE 90% TSS REMOVAL FOR PEAK FLOW RATE OF EACH SKIMMER SIZE



2 PANELS OF ABSORB-IT FABRIC. EACH PANEL HAS 24" SLIT @ 6" O.C. SLITS OFFSET 3" IN EACH PANEL



MAINTENANCE REQUIREMENTS:
INNER AND OUTER SKIRTS SHOULD BE VISUALLY INSPECTED EVERY 6 MONTHS AND REPLACED EVERY 24 MONTHS.

WATER QUALITY FILTER HAS BEEN THIRD-PARTY TESTED PER ASTM C1746 TO PROVIDE 90% TSS REMOVAL AT PEAK FLOW RATE OF EACH SKIMMER BASED UPON MINIMUM INNER AND OUTER SKIRT SIZES.

NOT TO SCALE



WWW.RYMARWATERWORKS.COM
(855) 697-9333

POST-CONSTRUCTION
WATER QUALITY FILTER SKIRT FOR
MARLEE FLOAT SKIMMER REV 05/07/23